

# CENTRAL EXTRACTION

OFFICES, RETAIL, LEISURE AND EDUCATION



# AIROVENT

Continuous Central Extraction Range



## KEY FEATURES

- Low energy use EC motors
- Airflows up to 500m<sup>3</sup>/h
- Low noise efficient design
- A preferred method of ventilation in Building Regulations Part F Volume 1: Dwellings
- RF units have wireless room controllers
- Humidity sensing fan control in RF units
- Basic controller and CO<sub>2</sub> sensing controller available for RF units.
- WH6B unit suitable for AirflexPro 75 mm low energy radial duct system
- Complies to Building Regulations Part L Volume 1: Dwellings
- Lightweight units – easy to lift
- Easy maintenance when installed

The AIROVENT continuous mechanical extract ventilation range is designed for the simultaneous ventilation of separate areas in the home or as a multipoint extractor system for a wide range of light commercial applications.

In the home, the system is usually located in the loft or airing cupboard with ducts taken to the bathroom, utility room and toilets to remove air pollutants such as water vapour and odours. The AIROVENT range is also ideal for a variety of light commercial applications such as toilets, fitting rooms, and kiosks. The units can be installed at any angle and where the ambient air has a high level of humidity.

In addition, this range complies to Building Regulations Part L Volume 1: Dwellings - Conservation of fuel and power, and Part F Volume 1: Dwellings - Ventilation.

## MODELS

<b>RF MEV WH4H</b>	Built-in humidistat and choice of controllers: basic or with built-in CO <sub>2</sub> sensor
<b>MEV WH4B</b>	Smaller than WH4H, controlled by three position switches
<b>MEV WH6B</b>	Six port back-box instead of the standard four port makes it suitable for use with AirflexPro 75 mm semi rigid ducting



# AIROVENT

Continuous Central Extraction Range



## AIROVENT MEV WH4H - 90001575

The **AIROVENT RF MEV WH4H (90001575)** unit comes complete with built-in humidistat to adjust airflows. It can be paired with two types of stylish wireless controllers.

These controllers are the basic controller (90001489) or controller with a built in CO<sup>2</sup> sensor (90001490). The basic controller gives you the choice of three fan speed settings, timed overrun, and low airflow “away mode”. The controller with CO<sup>2</sup> offers the same but airflows can also be controlled by the amount of CO<sup>2</sup> around it.

The port connections on this unit are 125 mm diameter to the rooms and a choice of 125 mm or 160 mm to outside.



## AIROVENT MEV WH4B - 90001495

The **AIROVENT MEV WH4B (90001495)** unit is smaller in size than the WH4H unit with slightly less open airflow capabilities.

The unit is controlled by using three position switches (90000541) to switch between the low, medium, and high fan speeds. An alternative is to use a humidity sensing switches (9041570) Both switches offered need to be hard wired into the fan unit.



## AIROVENT MEV WH6B - 90001496

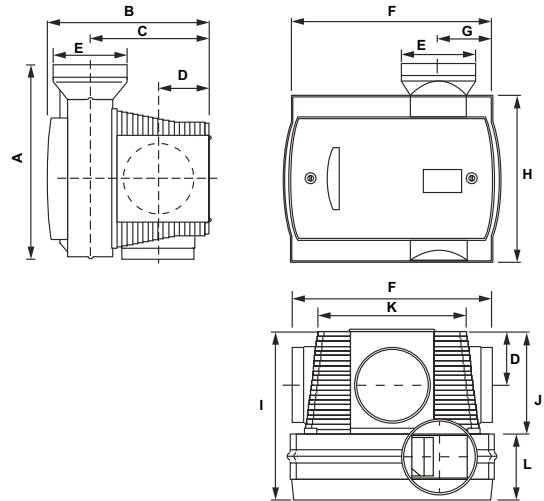
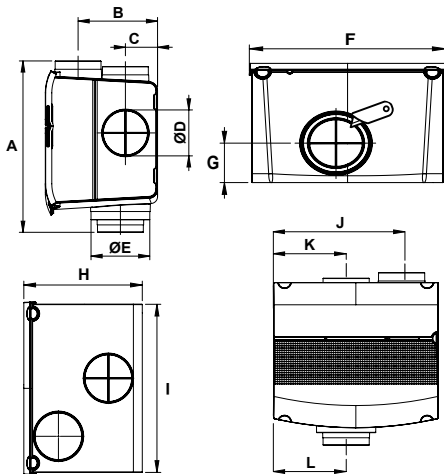
The **AIROVENT MEV WH6B (90001496)** unit is fitted with a six port back-box instead of the standard four port offered with the WH4B model.

This small change makes the unit suitable for use with Airflow's AirflexPro 75 mm, semi-rigid, low energy, radial duct system.

# TECHNICAL DATA

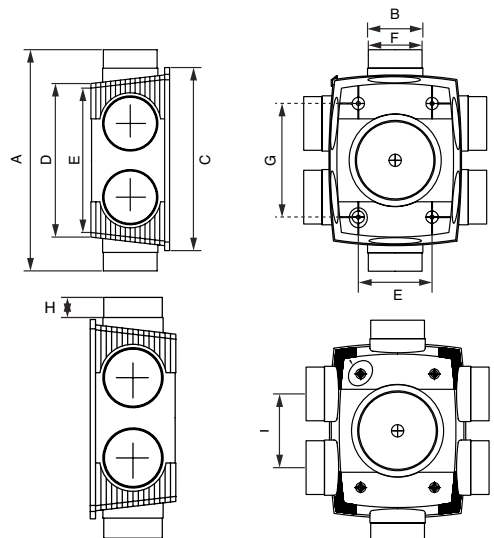
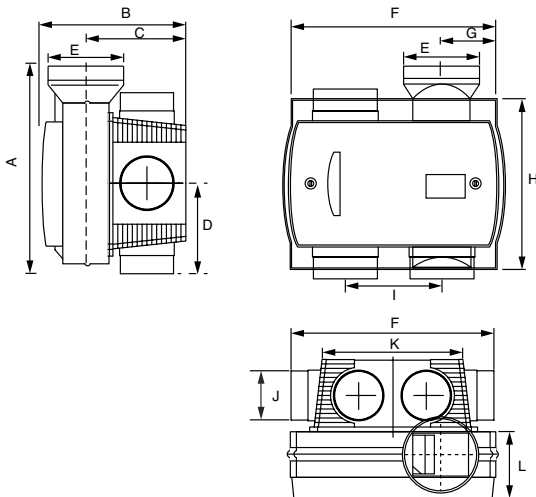
Specification	AIROVENT RF MEV WH4H	AIROVENT MEV WH4B	AIROVENT MEV WH6B
Air flow m <sup>3</sup> /h / l/s	600 / 166	460 / 127	
Fan type	Backward curve centrifugal	Forward curve centrifugal	
Fan motor type	EC		
Sound level @ 200m <sup>3</sup> /h / 55.5l/s Lwa	40	49	
Extract port size and number	4 x 125 mm	4 x 125 mm	6 x 83.7 mm
Port size for expelled air to outside	125 mm or 160 mm	125 mm	
Controller radio frequency	868.3 MHz	N/A	
Electric supply	230V - 50Hz - 1Ph		
Maximum power consumption (W)	50 or 82	71	
Weight Kg	4.4	3.5	
Dimensions (H x W x D)mm	303 x 442 x 430	240 x 340 x 330	
Weight Kg	4.4	3.5	
Part number	90001575	90001495	90001496
EAN	5019009329895	5019009329284	5019009329291

# DIMENSIONS



Model	A	B	C	D	E	F	G	H	I	J	K	L
AIROVENT RF MEV WH4H	463	215	87	124	160	442	100	303	430	344	195	195

Model	A	B	C	D	E	F	G	H	I	J	K	L
AIROVENT MEV WH4B	330	275	205	88	124	340	82	280	275	166	252	112



Model	A	B	C	D	E	F	G	H	I	J	K	L
AIROVENT MEV WH6B	330	245	136	148	124	340	80	280	120	87.5	252	112

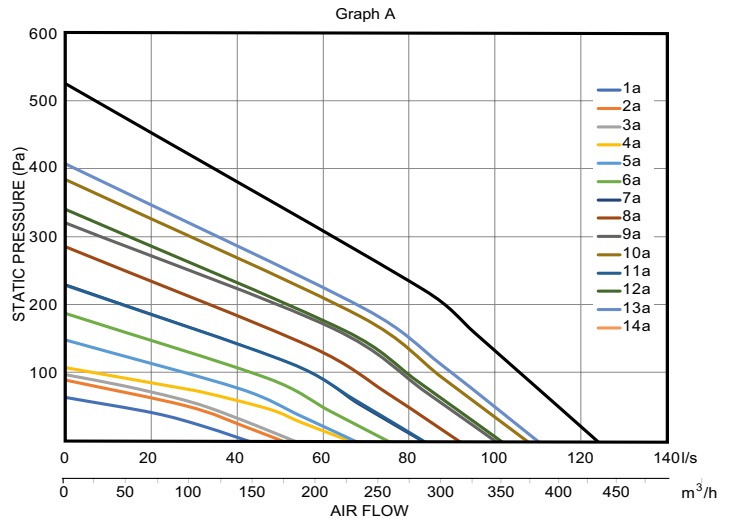
Model	A	B	C	D	E	F	G	H	I
AIROVENT MEV WH6B	360	90	298	250	120	87.5	185	30	120

# PERFORMANCE

## AIROVENT MEV WH4H Dipswitch Settings

Fan Speed Band	Fan Speed Setting	AIROVENT							Minimum Airflow at stated Pressure l/s (m³/h)	Minimum Pressure at stated Airflow Pa
		Switch Number	1	2	3	4	5	6		
Low	1a	OFF							20.46 (74)	41
	2a	ON							28.20 (102)	51
Medium	3a		OFF	OFF	OFF			OFF	33.17 (119)	49
	4a		ON	OFF	OFF			OFF	47.50 (171)	46
Medium	5a		OFF	ON	OFF			OFF	54.70 (197)	36
	6a		ON	ON	OFF			OFF	61.60 (222)	44
Medium	7a		OFF	OFF	ON			OFF	68.28 (246)	53
	8a		ON	OFF	ON			OFF	74.81 (269)	70
Medium	9a		OFF	ON	ON			OFF	84.12 (303)	70
	10a		ON	ON	ON			OFF	87.70 (316)	92
High	11a					OFF	OFF	OFF	68.00 (256)	60
	12a					ON	OFF	OFF	81.90 (295)	87
High	13a					OFF	ON	OFF	88.30 (318)	112
	14a					ON	ON	OFF	95.35 (343)	158

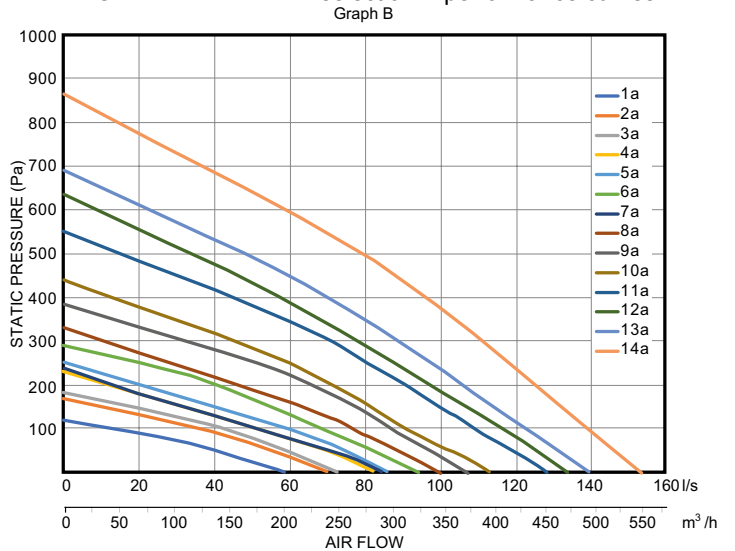
## AIROVENT MEV WH4H selection A performance curves:



## AIROVENT MEV WH4H Dipswitch Settings

Fan Speed Band	Fan Speed Setting	AIROVENT							Minimum Airflow at stated Pressure l/s (m³/h)	Minimum Pressure at stated Airflow Pa
		Switch Number	1	2	3	4	5	6		
Low	1b	OFF							38.41 (138)	54
	2b	ON							53.12 (191)	57
Medium	3b		OFF	OFF				ON	55.35 (199)	61
	4b		ON	OFF				ON	65.02 (234)	64
Medium	5b		OFF	ON				ON	64.84 (233)	84
	6b		ON	ON				ON	73.21 (264)	83
High	7b				OFF	OFF	OFF	ON	72.09 (256)	46
	8b				ON	OFF	OFF	ON	84.63 (305)	65
High	9b				OFF	ON	OFF	ON	91.91 (331)	75
	10b				ON	ON	OFF	ON	93.31 (336)	88
High	11b				OFF	OFF	ON	ON	110.69 (398)	92
	12b				ON	OFF	ON	ON	115.46 (416)	104
High	13b				OFF	ON	ON	ON	120.30 (433)	114
	14b				ON	ON	ON	ON	139.74 (503)	94

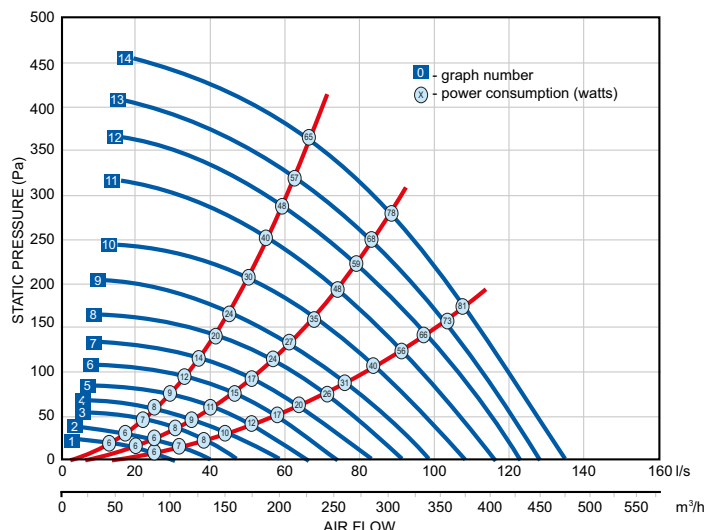
## AIROVENT MEV WH4H selection B performance curves:














## AIROVENT MEV WH4B & WH6B Dipswitch Settings

Fan Speed Band	Fan Speed Setting	Dip Switch Setting								Minimum Airflow at stated Pressure l/s (m³/h)	Minimum Pressure at stated Airflow Pa
		Switch Number	1	2	3	4	5	6	7		
Low	1	OFF								24.0 (87)	9
	2	ON								34.0 (123)	19
Medium	3		OFF	OFF	OFF				ON	26.5 (97)	11
	4		ON	OFF	OFF				ON	36.0 (131)	21
Medium	5		OFF	ON	OFF				ON	42.5 (153)	28
	6		ON	ON	OFF				ON	45.5 (164)	30
Medium	7		OFF	OFF	ON				ON	48.0 (173)	33
	8		ON	OFF	ON				ON	57.5 (207)	52
Medium	9		OFF	ON	ON				ON	60.0 (216)	56
	10		ON	ON	ON				ON	65.0 (234)	67
High	11					OFF	OFF	OFF	ON	43.5 (158)	31
	12					ON	OFF	OFF	ON	60.0 (216)	56
High	13					OFF	ON	OFF	ON	65.0 (234)	67
	14					ON	ON	OFF	ON	70.5 (255)	80
High	15					OFF	OFF	ON	ON	76.5 (276)	94
	16					ON	OFF	ON	ON	81.0 (293)	105
High	17					OFF	ON	ON	ON	86.0 (310)	118
	18					ON	ON	ON	ON	98.5 (355)	137

## AIROVENT MEV WH4B & WH6B performance curves:



## ACCESSORIES

Accessories	Product Code	Product Image
Low / High / Off Switch*	90000541	
Humidistat**	9041570	
Airovent RF Controller - Basic***	90001489	
Airovent RF Controller + CO <sub>2</sub> Sensor***	90001490	
Ø75 mm x 50 M Round AirflexPro Semi-rigid duct**	9041130	
Ø125 mm x 2 M Round Rigid Duct	9041546	
Ø125 mm x 1 M Airflex Round PVC Hose	52641008	
Metal Worm Drive Clamp for Ø125 mm Connections	51849403	
Grey Acrylic Duct Sealant 310 ml	90002254	
187 x 187 x Ø125 mm Fixed Grille - Terracotta (other colours available at <a href="http://www.airflow.com">www.airflow.com</a> )	9041223	
Universal Roof Terminal & Adaptor - Sepia (other colours available at <a href="http://www.airflow.com">www.airflow.com</a> )	90000350	

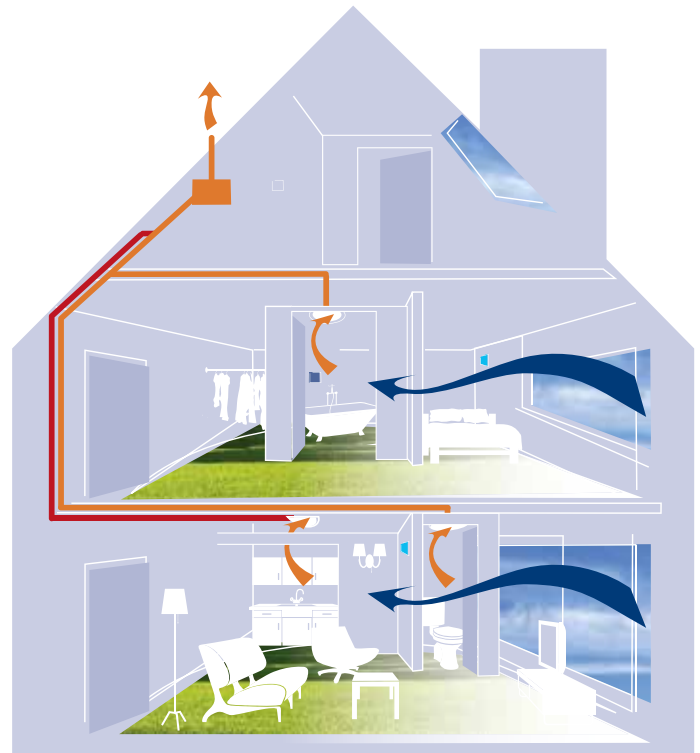


FIG A – Illustrates a typical central extract system using rigid ducting, focusing on “Best Practice” that the toilet extract is separate to, or positioned in-line between the kitchen extract and the extraction unit.

\* For use with both WH4B & WH6B units

\*\* For use with MEV WH6B units only

\*\*\* For use with WH4H RF Units only

A full range of rigid ducting, AirflexPro (semi-rigid) ducting, flexible ducting, grilles, and fittings are available at [www.airflow.com](http://www.airflow.com)

Centralised continuous mechanical extract ventilation (CMEV) systems, comprise of a centrally located, continuously running extract unit, connected to ducts which run to contamination / moisture producing areas. These areas are commonly known as “wet rooms”, mainly consisting of kitchens, bathrooms, toilets, and utility rooms. Air is extracted from these rooms to the rates laid down in Building regulation part “F”, Ventilation, Volume 1: Dwellings. Make up air is drawn through trickle vents positioned in all living areas. These are usually found in the window frames. Trickle vents should be left open at all times, except in extreme weather conditions.

Using a continuous extract ventilation system removes contamination / moisture at its source, stopping it spread around the dwelling. This ensures good indoor air quality (IAQ).

By providing the correct amount of continuous ventilation removes contamination / humidity at source, stopping it permeate into the dwelling fabric and ensuring the air we breathe is high quality.

## CONTROLS & ACCESSORIES



Others products available from [airflow.com](http://www.airflow.com)

Call: 01494 525252

Visit: [airflow.com](http://airflow.com)



**Airflow Developments Limited**  
Aidelle House, Lancaster Road,  
Cressex Business Park,  
High Wycombe, Buckinghamshire,  
United Kingdom, HP12 3QP

E-mail: [info@airflow.com](mailto:info@airflow.com)  
Telephone: +44 (0) 1494 525252

[airflow.com](http://airflow.com)

© Airflow Developments Limited. Airflow Developments Limited reserve the right, in the interests of continuous development, to alter specifications without prior notice. All orders are accepted subject to our conditions of sale which are available on request

80000686 Issue2 04/26



Certificate No. EMS 569454 Certificate No. FM 00152  
BS EN 150 14001 : 2015 BS EN 150 9001 : 2015